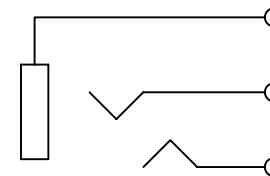
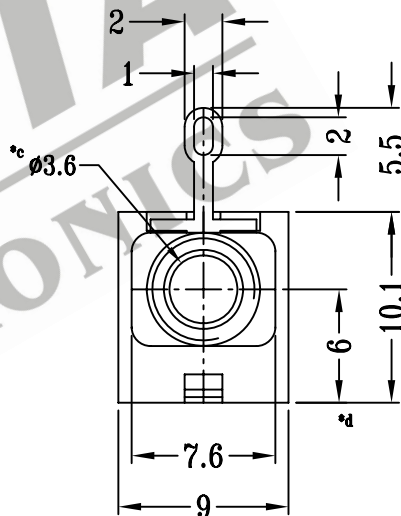
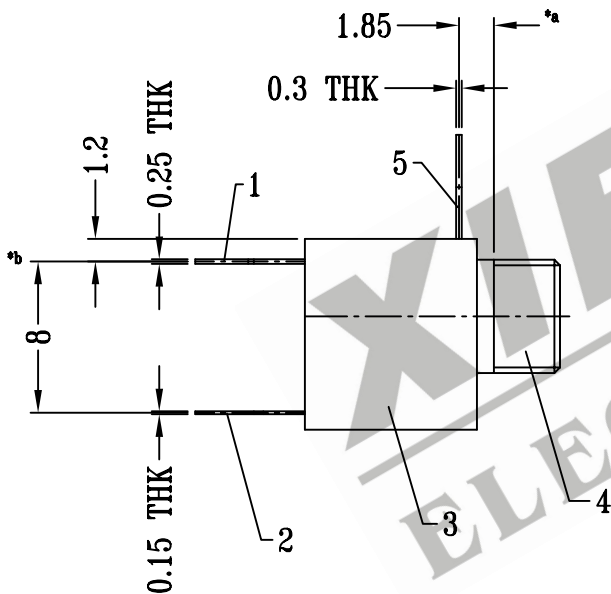
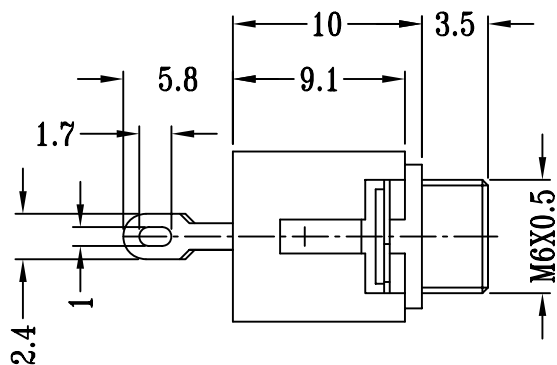


CAD FILE:



SCHMATIC

注：“*”表示关键尺寸（4个）

				TOLERANCE UNLESS SPECIFIED	SHENZHEN XIEJIA ELECTRONICS CO.,LTD.					
7				WITHIN: 1.5±0.1mm OVER : 1.5±0.2mm	ISSUE	DATE	DESCRIPTIONS OF REVISION		APPD.	
6										
5	TERMINAL	BRASS STRIP	1	Ag PLATED OVER Ni PLATED	TITLE : PHONE JACK				UNIT : mm	DRWG NO.: XJ-DR-EY512CM3.5-00
4	SOCKET	BRASS	1	Ni PLATED	MODEL: EY-512-C-M-3.5				SCALE: 5:2	DWN. ZHOUYU 2005-2-26
3	CASE	ABS	1	MILKY WHITE	ALL MATERIALS MUST BE COMPLIANT TO ROHS				CHK'D FANGYING	2005-2-26
2	SPRING TERMINAL	STAINLESS STEEL	1	Ag PLATED OVER Ni PLATED					APPD. KANGXINAN	2005-2-26
1	SPRING TERMINAL	PBS STRIP	1	Ag PLATED OVER Ni PLATED						
NO.			Q'TY							